

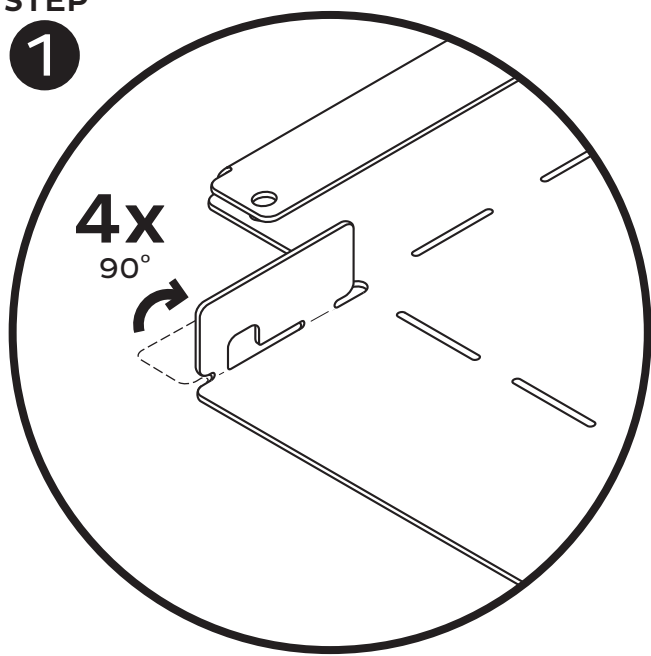
# Fold

CASE

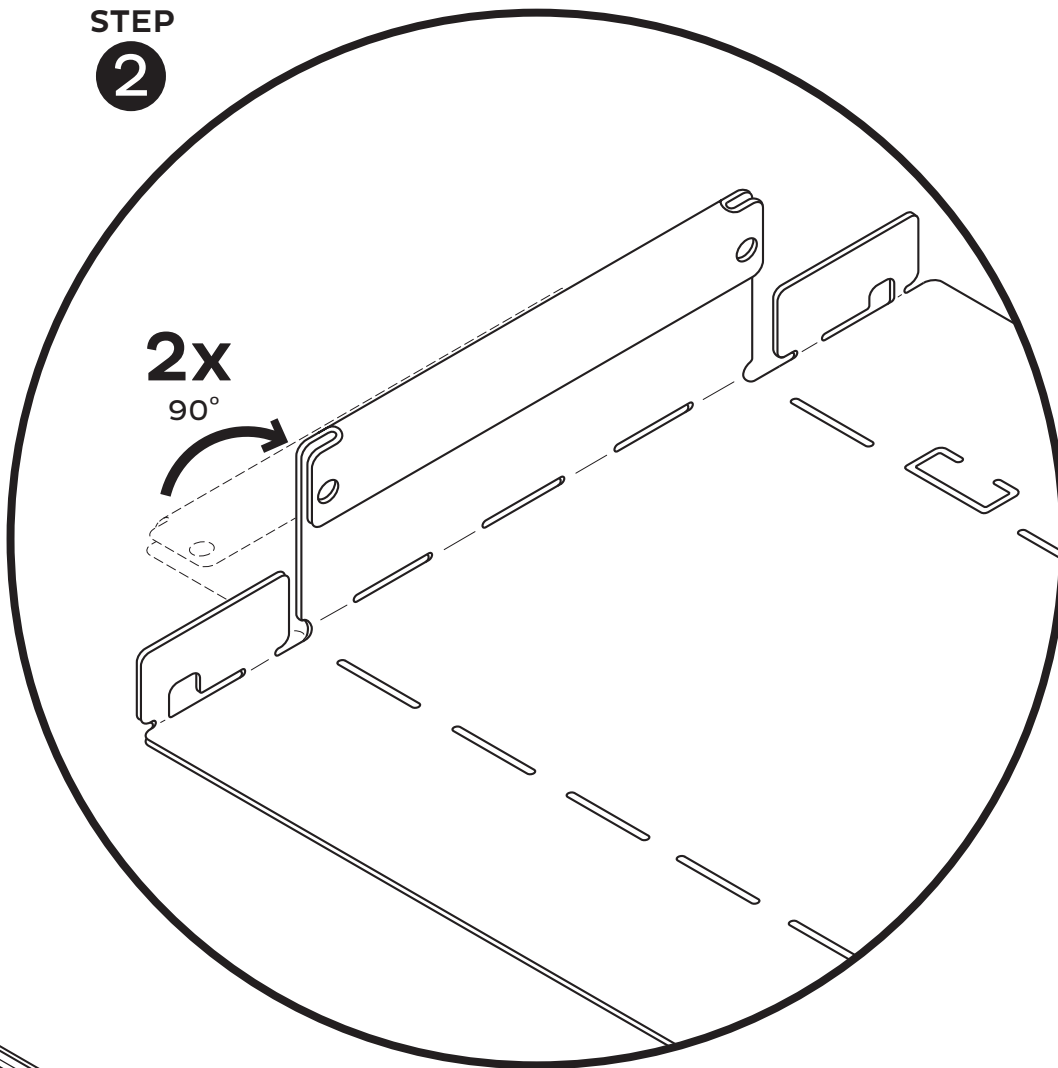
## ASSEMBLY MANUAL

THESE ARE THE FIVE STEPS TO BECOME A TRULY HANDSOME CASE FOLDER.

STEP 1

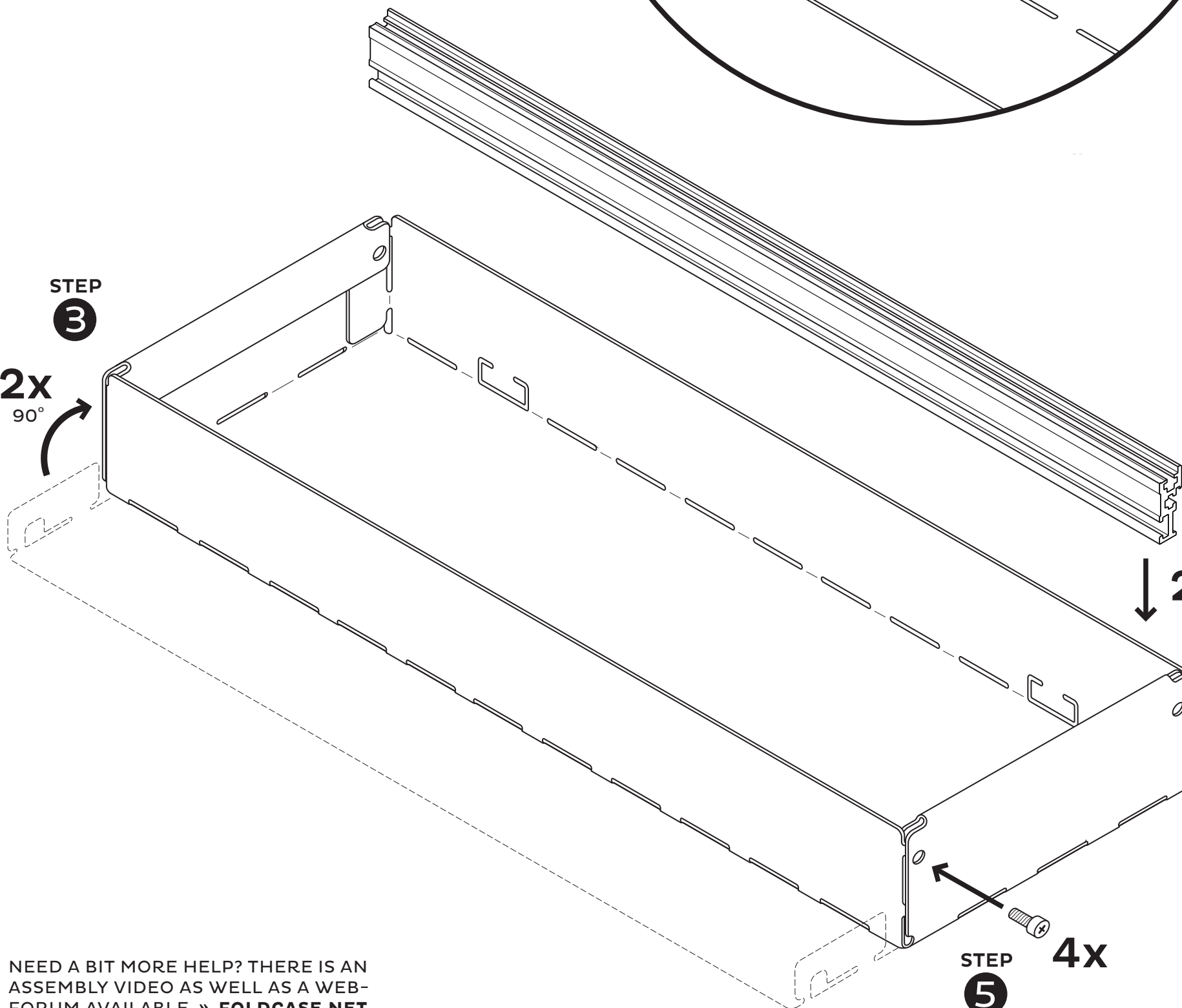


STEP 2



STEP 3

2x 90°



STEP 4

2x

STEP 5

4x

NEED A BIT MORE HELP? THERE IS AN ASSEMBLY VIDEO AS WELL AS A WEB-FORUM AVAILABLE » [FOLDCASE.NET](http://FOLDCASE.NET)